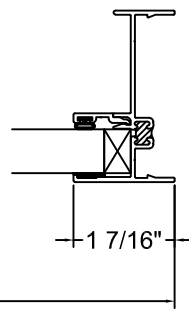
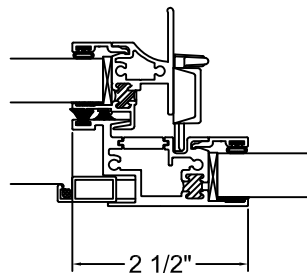
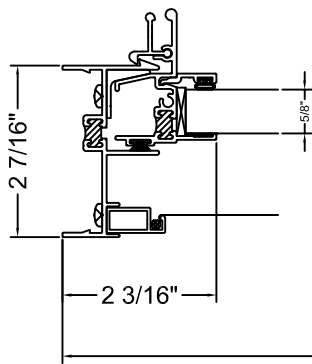
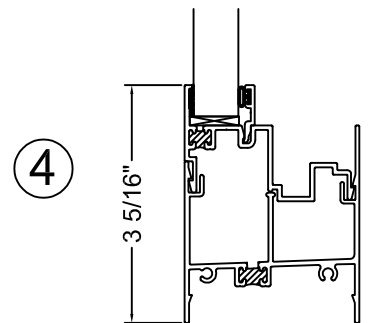
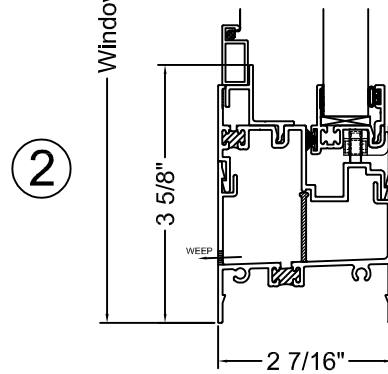
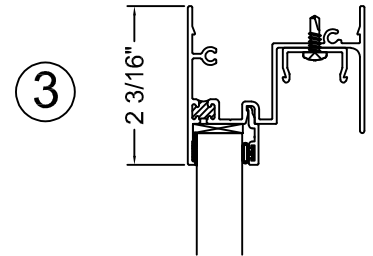
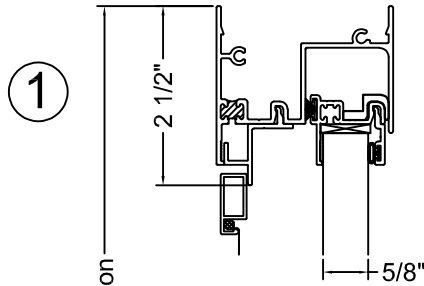
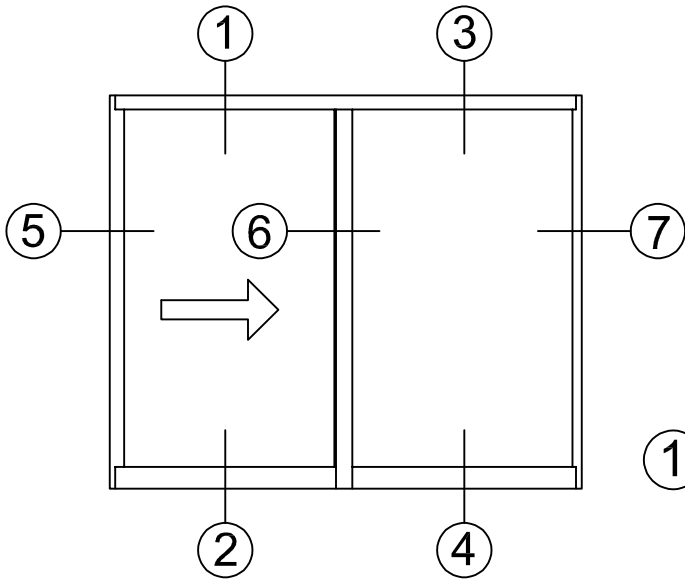


S210L Detail Sheet

Horizontal Slider (XO)

2-7/16" Frame Depth



Window Dimension